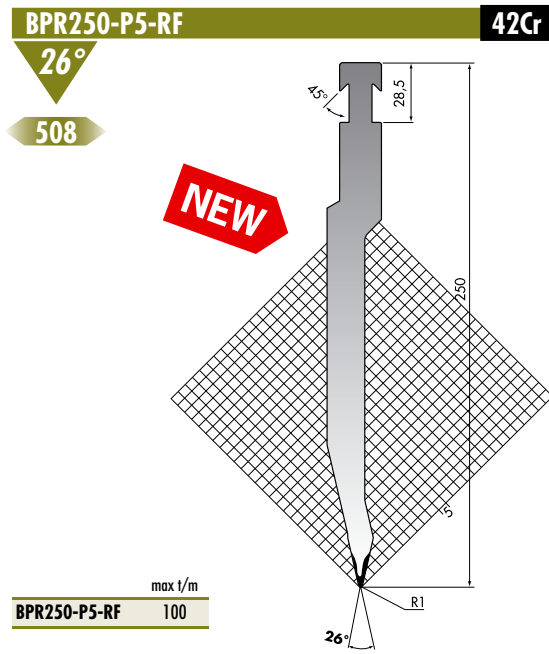
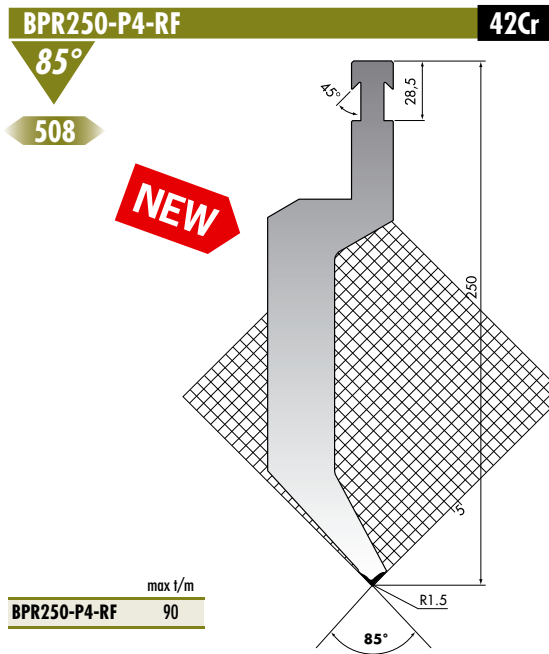
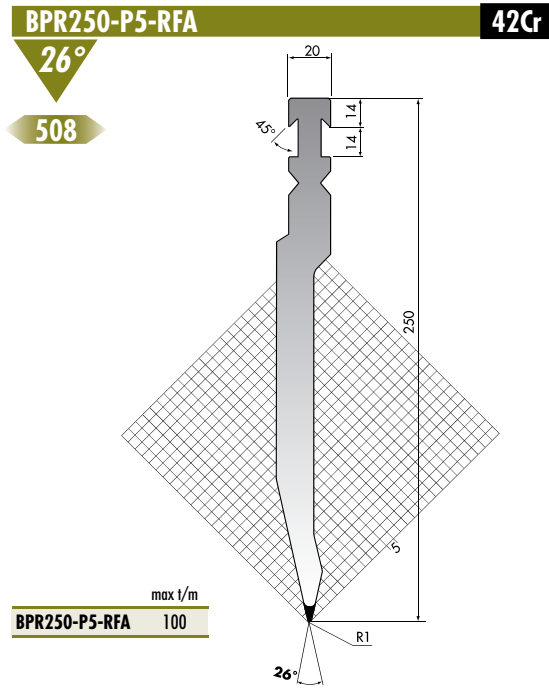
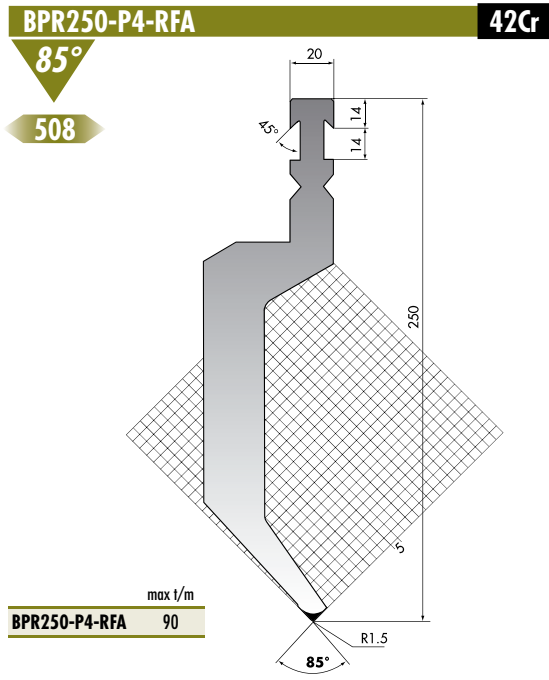
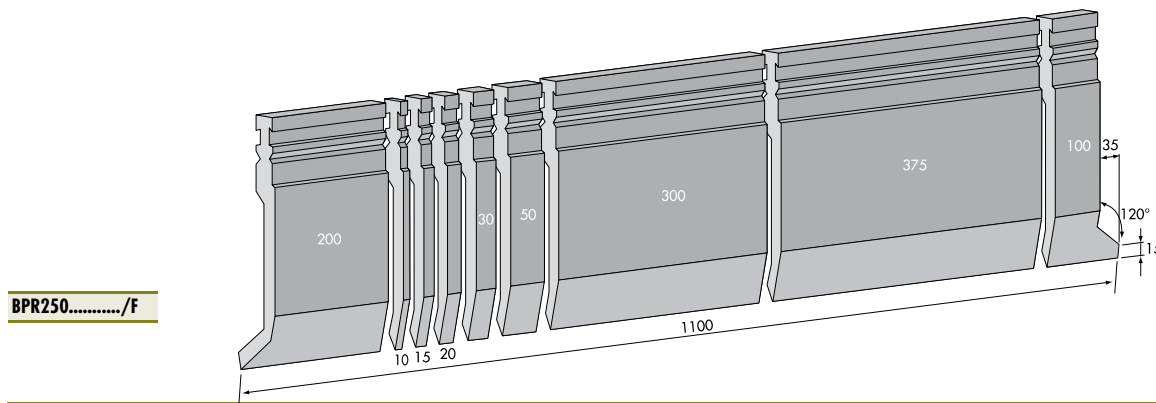


# BEYELER TYPE

HRc 54-60 (1980->2200 N/mm<sup>2</sup>)



**BPR**

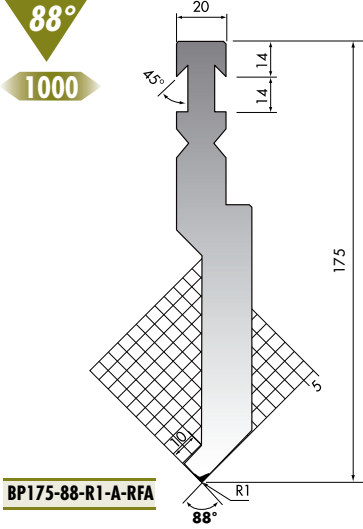


**BEYELER TYPE**

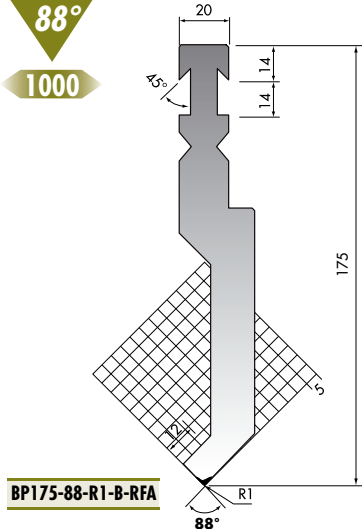
# BEYELER TYPE

HRc 54-60 (1980->2200 N/mm<sup>2</sup>)

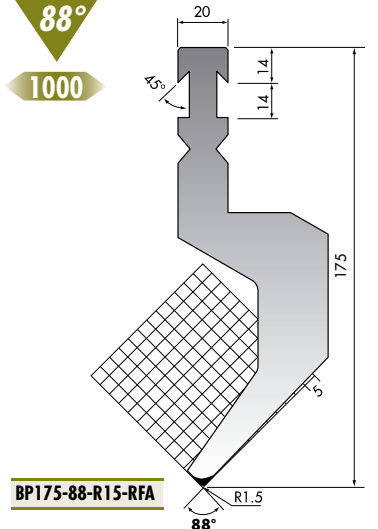
**BP175-88-R1-A-RFA** **42Cr**



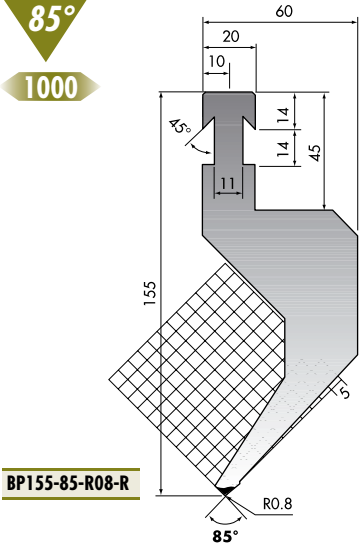
**BP175-88-R1-B-RFA** **42Cr**



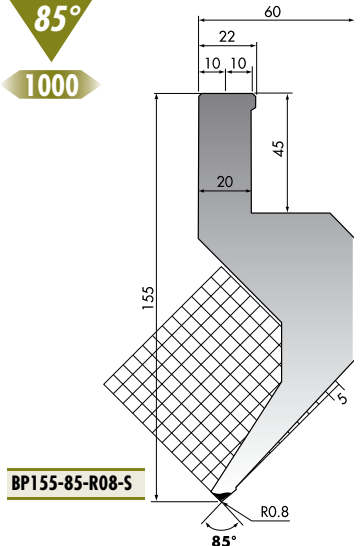
**BP175-88-R15-RFA** **42Cr**



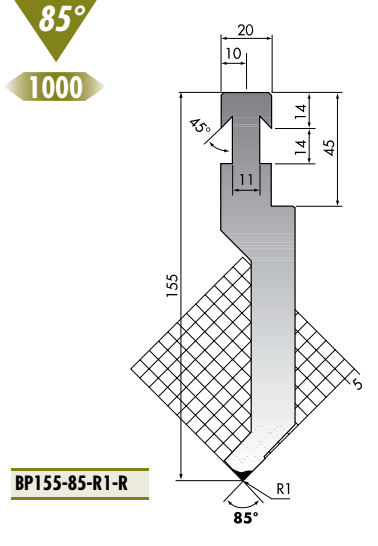
**BP155-85-R08-R** **42Cr**



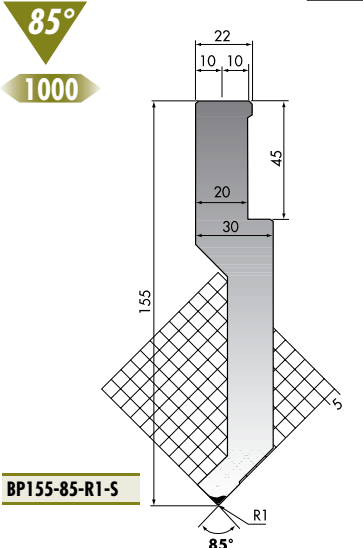
**BP155-85-R08-S** **42Cr**



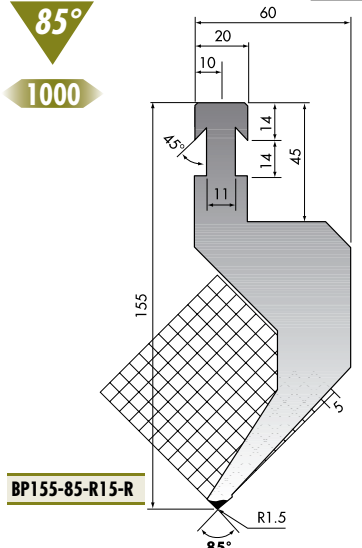
**BP155-85-R1-R** **42Cr**



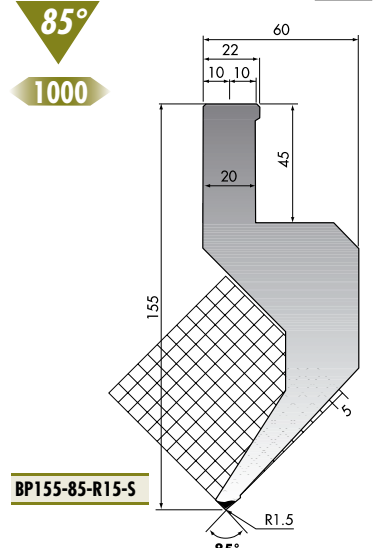
**BP155-85-R1-S** **42Cr**



**BP155-85-R15-R** **42Cr**



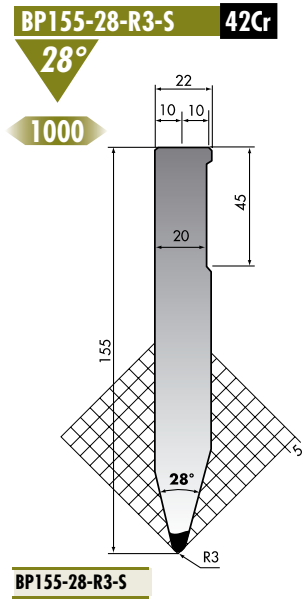
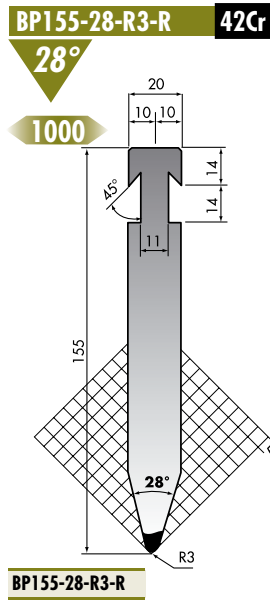
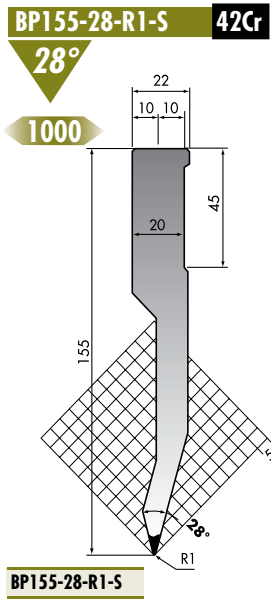
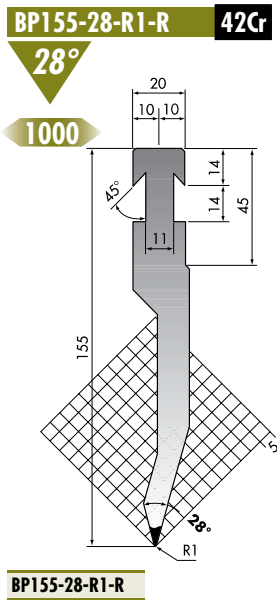
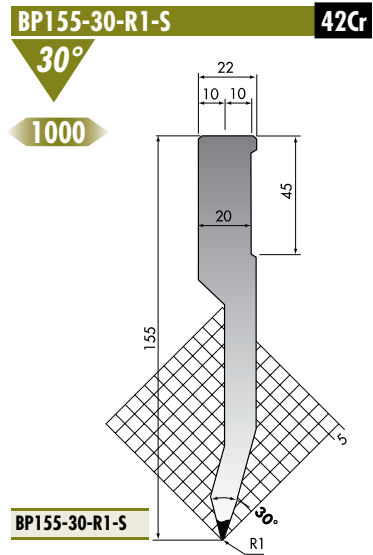
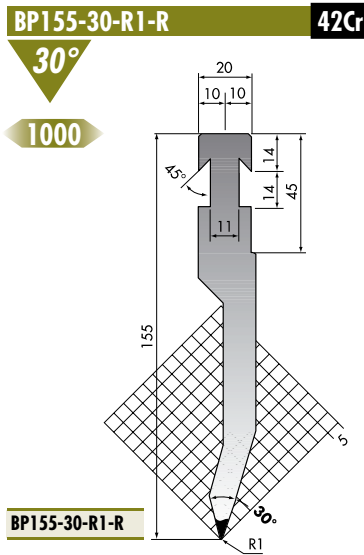
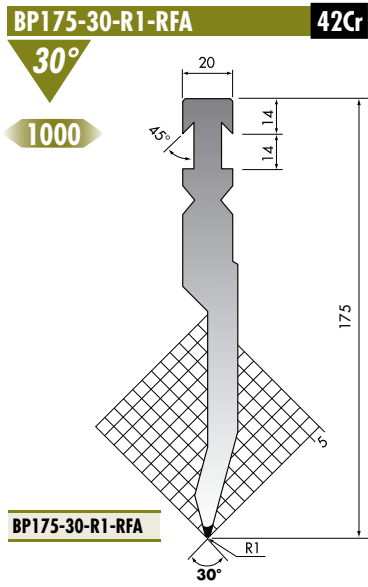
**BP155-85-R15-S** **42Cr**



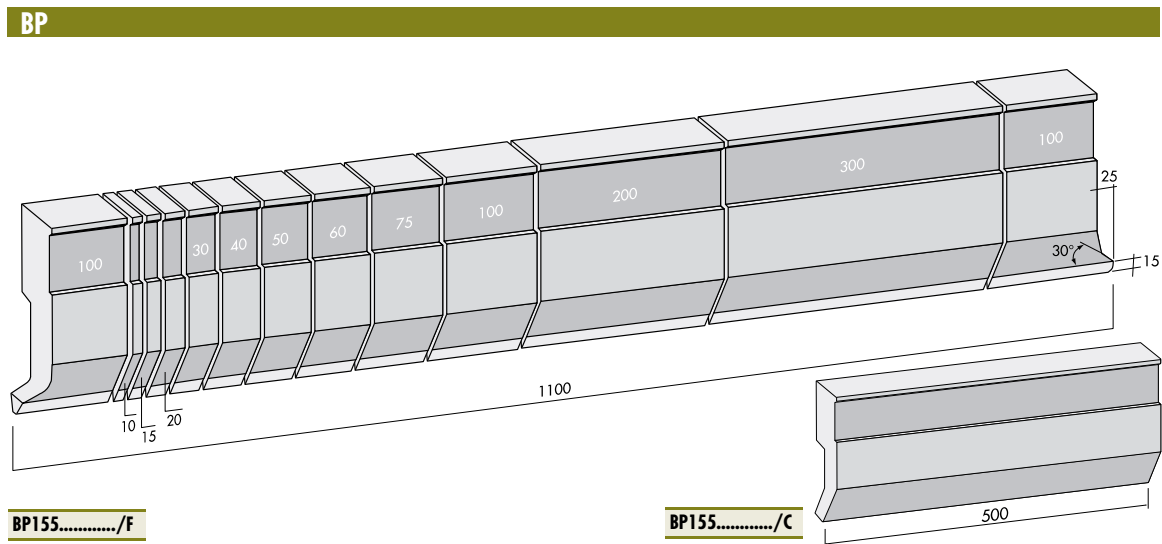
BEYELER TYPE

# BEYELER TYPE

HRc 54-60 (1980->2200 N/mm<sup>2</sup>)



BEYELER TYPE



**C45** 560-710 N/mm<sup>2</sup>

**42Cr** 900-1150 N/mm<sup>2</sup>

[www.rolleri.it](http://www.rolleri.it)  
[www.rolleri.de](http://www.rolleri.de) **ROLLERI**

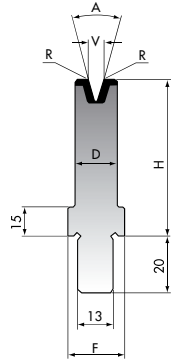
# BEYELER TYPE

HRc 54-60 (1980->2200 N/mm<sup>2</sup>)

**BMR55-06-90 ÷ BMR60-32-30** **42Cr**

90° 88° 85° 80° 60° 30°

1000



	V mm	A°	R mm	D mm	H mm	F mm	max t/m
<b>BMR55-10-88</b>	10	88	1	20	55	25	110
<b>BMR55-12-88</b>	12	88	1,5	20	55	25	120
<b>BMR55-16-88</b>	16	88	2	30	55	30	120
<b>BMR55-20-88</b>	20	88	2	30	55	30	110
<b>BMR55-24-88</b>	24	88	3	40	55	40	120
<hr/>							
	V mm	A°	R mm	D mm	H mm	F mm	max t/m
<b>BMR55-32-85</b>	32	85	4	50	55	50	120
<b>BMR55-40-85</b>	40	85	4	55	55	55	120
<hr/>							
	V mm	A°	R mm	D mm	H mm	F mm	max t/m
<b>BMR65-80-80</b>	80	80	10	100	65	100	170
<b>BMR85-100-80</b>	100	80	12	125	85	125	230
<hr/>							
	V mm	A°	R mm	D mm	H mm	F mm	max t/m
<b>BMR55-40-60</b>	40	60	5	55	55	55	130
<b>BMR55-50-60</b>	50	60	5	70	55	70	120
<b>BMR65-60-60</b>	60	60	7	80	65	80	110

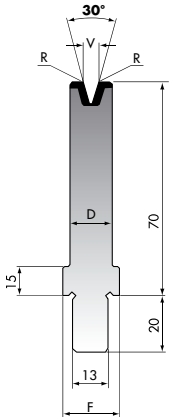
	V mm	A°	R mm	D mm	H mm	F mm	max t/m
<b>BMR55-06-90</b>	6	90	0,4	15	55	25	115
<b>BMR55-08-90</b>	8	90	0,5	15	55	25	110
<b>BMR55-10-90</b>	10	90	1	20	55	25	110
<b>BMR55-12-90</b>	12	90	1,5	20	55	25	120
<b>BMR55-16-90</b>	16	90	2	30	55	30	120

	V mm	A°	R mm	D mm	H mm	F mm	max t/m 90°	max t/m 60°	max t/m 30°
<b>BMR55-06-30</b>	6	30	0,6	15	55	25	90	50	35
<b>BMR55-08-30</b>	8	30	0,8	15	55	25	70	40	20
<b>BMR55-10-30</b>	10	30	1	20	55	25	80	50	35
<b>BMR55-12-30</b>	12	30	1,5	20	55	25	70	45	30
<b>BMR55-16-30</b>	16	30	2	30	55	30	105	65	45
<b>BMR55-20-30</b>	20	30	2,5	35	55	35	105	70	50
<b>BMR55-24-30</b>	24	30	3	40	55	40	105	70	55
<b>BMR60-32-30</b>	32	30	4	60	60	60	150	80	65

**BMR70-08-30 ÷ BMR70-16-30** **42Cr**

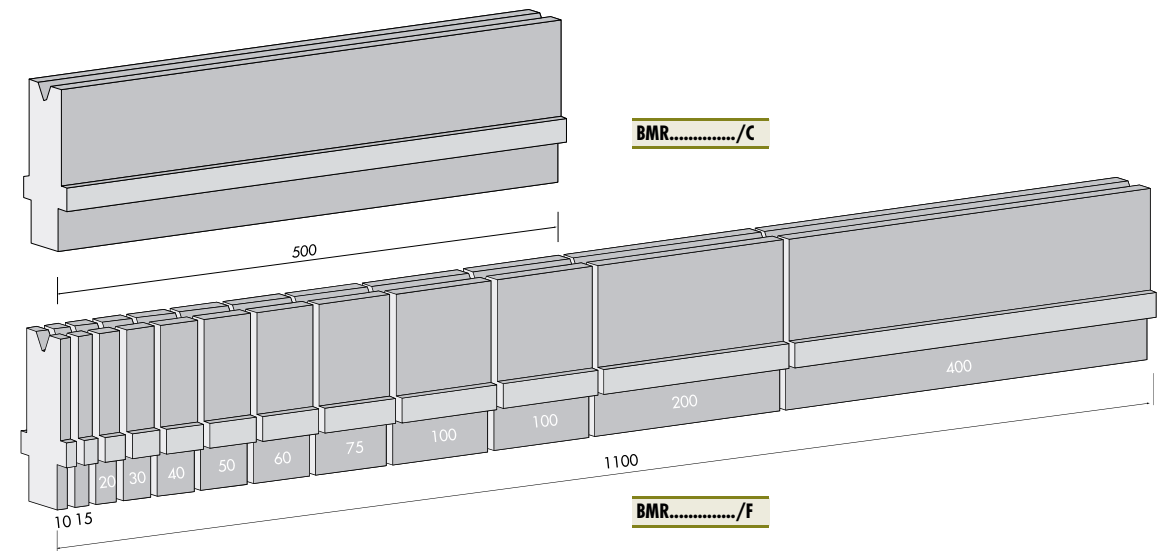
30°

1000



	V mm	R mm	D mm	F mm	max t/m 90°	max t/m 60°	max t/m 30°
<b>BMR70-08-30</b>	8	0,75	20	25	70	40	20
<b>BMR70-10-30</b>	10	1	20	25	80	50	35
<b>BMR70-12-30</b>	12	1,5	25	25	70	45	30
<b>BMR70-16-30</b>	16	2	30	30	105	65	45

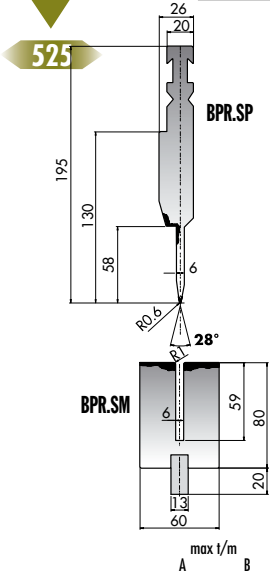
## BMR



# BEYELER TYPE

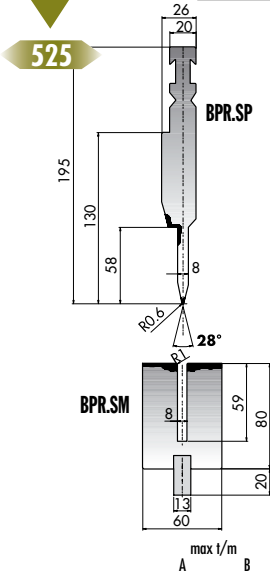
HRc 54-60 (1980->2200 N/mm<sup>2</sup>)

**BPR.S (BPR.SP+BPR.SM)**  
**28°** **42Cr**



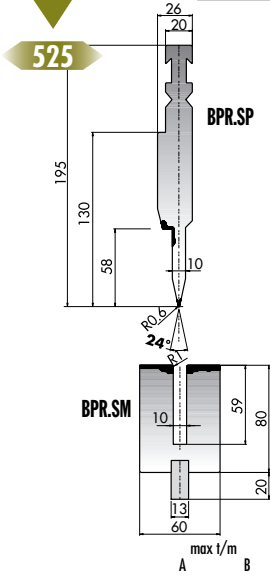
<b>BPR.S-195.28.6</b>		
<b>BPR.SP-195.28.6</b>	50	100
<b>BPR.SM-195.28.6</b>	50	100

**BPR.S (BPR.SP+BPR.SM)**  
**28°** **42Cr**



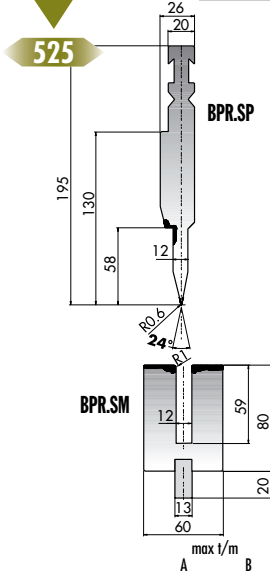
<b>BPR.S-195.28.8</b>		
<b>BPR.SP-195.28.8</b>	80	100
<b>BPR.SM-195.28.8</b>	50	100

**BPR.S (BPR.SP+BPR.SM)**  
**24°** **42Cr**

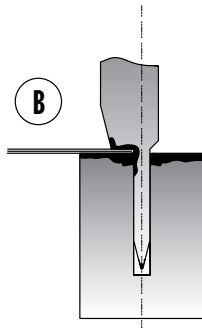
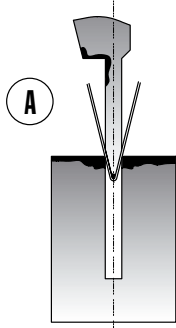


<b>BPR.S-195.24.10</b>		
<b>BPR.SP-195.24.10</b>	80	100
<b>BPR.SM-195.24.10</b>	50	100

**BPR.S (BPR.SP+BPR.SM)**  
**24°** **42Cr**



<b>BPR.S-195.24.12</b>		
<b>BPR.SP-195.24.12</b>	80	100
<b>BPR.SM-195.24.12</b>	50	100



S	A	R.45 Kg/mm <sup>2</sup>	R.70 Kg/mm <sup>2</sup>
mm	mm	t/m	t/m
0,6	3,0	9	15
0,8	3,0	12	20
1,0	3,5	15	25
1,25	3,5	17	26
1,5	4,6	22	38
2,0	5,5	30	50

S	A	R.45 Kg/mm <sup>2</sup>	R.70 Kg/mm <sup>2</sup>
mm	mm	t/m	t/m
0,6	1,2	23	35
0,8	1,6	32	50
1,0	2,0	40	60
1,25	2,5	50	80
1,5	3,0	63	95
2,0	4,0	80	130

**BEYELER TYPE**

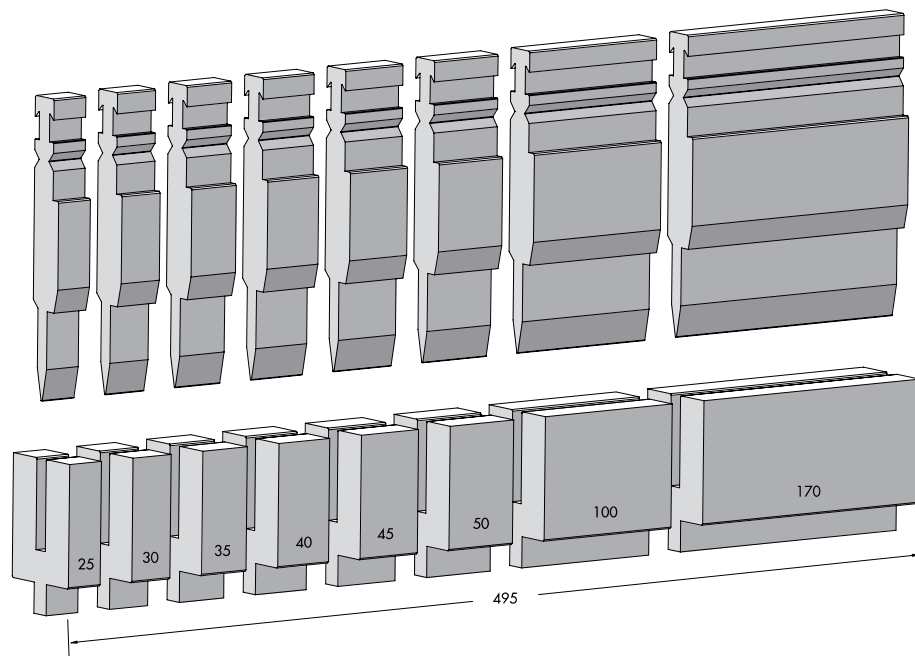
## BPR

**BPR.S-195.28.6/F**  
**BPR.SP-195.28.6/F**  
**BPR.SM-195.28.6/F**

**BPR.S-195.28.8/F**  
**BPR.SP-195.28.8/F**  
**BPR.SM-195.28.8/F**

**BPR.S-195.24.10/F**  
**BPR.SP-195.24.10/F**  
**BPR.SM-195.24.10/F**

**BPR.S-195.24.12/F**  
**BPR.SP-195.24.12/F**  
**BPR.SM-195.24.12/F**



**C45** 560-710 N/mm<sup>2</sup>

**42Cr** 900-1150 N/mm<sup>2</sup>

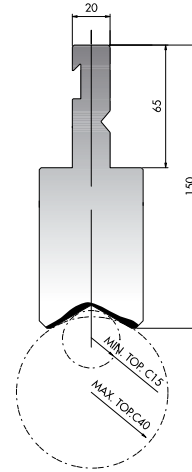
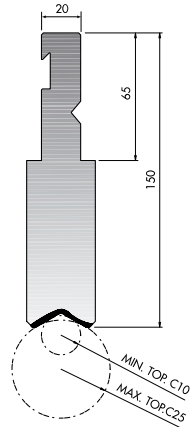
[www.rolleri.it](http://www.rolleri.it)  
[www.rolleri.de](http://www.rolleri.de) **ROLLERI**

# BEYELER TYPE

HRc 54-60 (1980->2200 N/mm<sup>2</sup>)

**BPR150-P10-10-RFA** **42Cr**  
522

**BPR150-P10-15-RFA** **42Cr**  
522



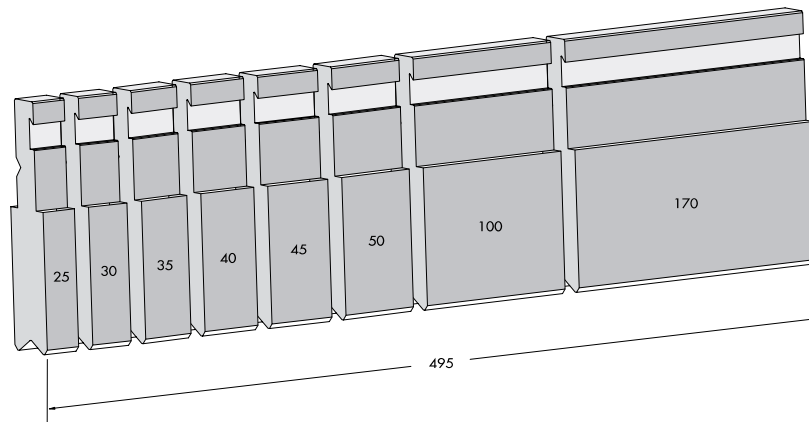
max t/m  
**BPR150-P10-10-RFA 100**

max t/m  
**BPR150-P10-15-RFA 100**

BEYELER TYPE

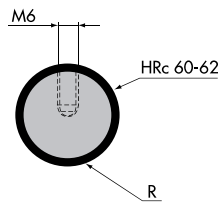
## BPR

**BPR150-P10...../F**



## TOP.C10 ÷ TOP.C40 C45

525

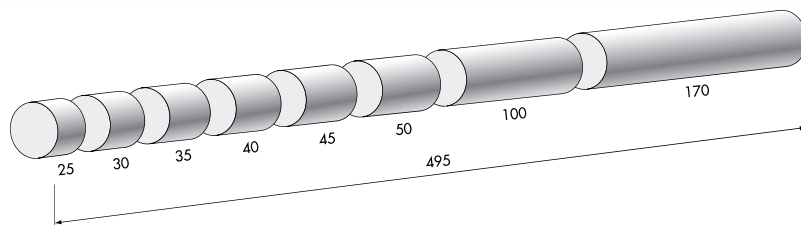


	R mm	max t/m
<b>TOP.C10</b>	10	100
<b>TOP.C12.5</b>	12,5	100
<b>TOP.C15</b>	15	100
<b>TOP.C17.5</b>	17,5	100

	R mm	max t/m
<b>TOP.C20</b>	20	100
<b>TOP.C25</b>	25	100
<b>TOP.C30</b>	30	100
<b>TOP.C35</b>	35	100
<b>TOP.C40</b>	40	100

## TOP.C

**TOP.C...../F**



# BEYELER TYPE

HRc 54-60 (1980->2200 N/mm<sup>2</sup>)

BPZ

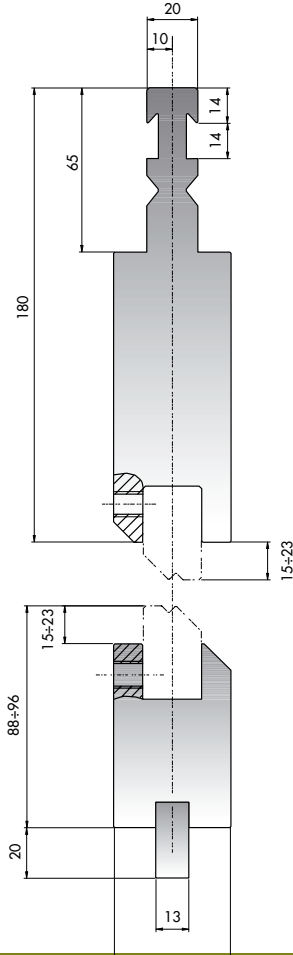
C45

835

415



	mm	max t/m
BPZ	835	100
BPZ/C	415	100



BEYELER TYPE

CEZ-1 ÷ CEZ-12

C45

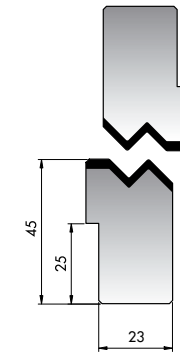
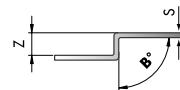
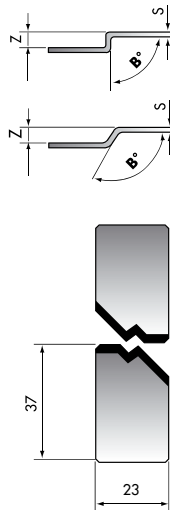
90° 140° 150° 160°

835

415



	Z mm	B°	max t/m
CEZ-1	1	160°	100
CEZ-1.5	1,5	160°	100
CEZ-2	2	150°	100
CEZ-2.5	2,5	140°	100
CEZ-3	3	90°	100
CEZ-3.5	3,5	90°	100
CEZ-4	4	90°	100
CEZ-4.5	4,5	90°	100
CEZ-5	5	90°	100
CEZ-5,5	5,5	90°	100
CEZ-6	6	90°	100
CEZ-6.5	6,5	90°	100
CEZ-7	7	90°	100
CEZ-7.5	7,5	90°	100
CEZ-8	8	90°	100



	Z mm	B°	max t/m
CEZ-9	9	90°	100
CEZ-10	10	90°	100
CEZ-11	11	90°	100
CEZ-12	12	90°	100
CEZ-13	13	90°	100
CEZ-14	14	90°	100
CEZ-15	15	90°	100

C45 560-710 N/mm<sup>2</sup>

42Cr 900-1150 N/mm<sup>2</sup>

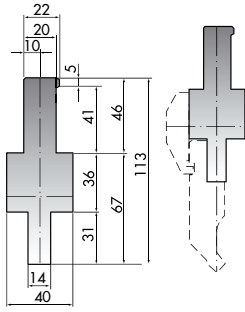
www.rolleri.it www.rolleri.de **ROLLERI**

55

# BEYELER TYPE

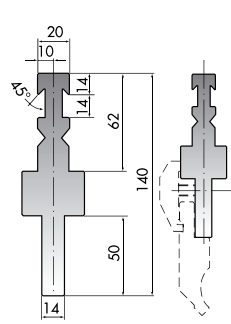
HRc 54-60 (1980->2200 N/mm<sup>2</sup>)

**AD3 (BEYELER S/PROMECCAM)**  
150 C45



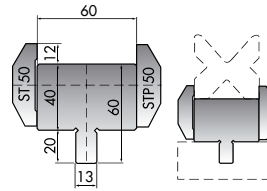
	max t/m
AD3	100

**AD10 (BEYELER RF-A/PROMECCAM)**  
150 C45



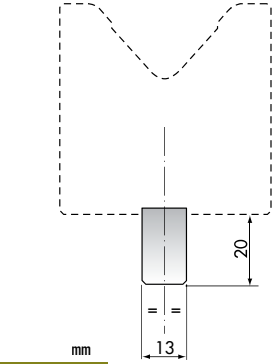
	max t/m
AD10	100

**AD7 (TRUMPF-BEYELER/PROMECCAM)**  
835 415 C45



	mm
AD7	835
AD7/C	415

**A30 (TRUMPF-BEYELER/PROMECCAM)**  
835 415 805



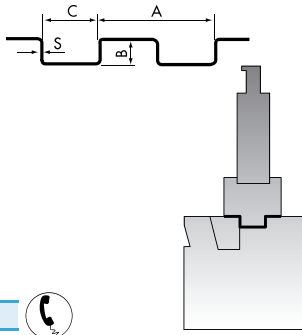
	mm
A30	835
A30/C	415
A30/F	805

~~L10~~ ~~L15~~ +L25

**BEYELER TYPE**

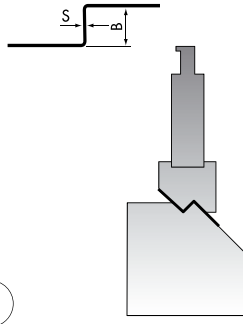


**SPE-1**



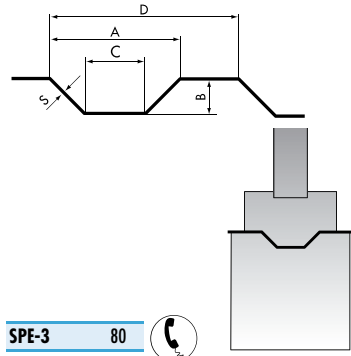
**SPE-1**

**SPE-2**



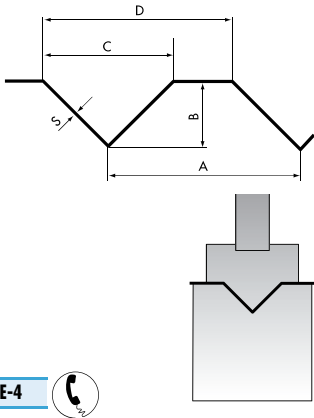
**SPE-2**

**SPE-3**



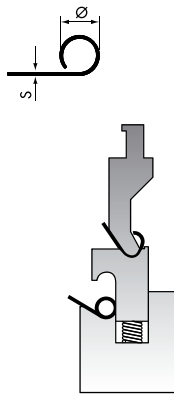
**SPE-3** 80

**SPE-4**



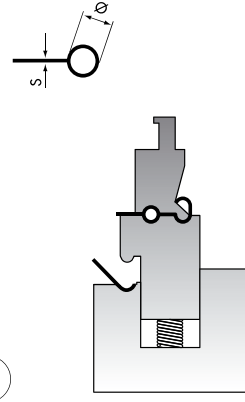
**SPE-4**

**SPE-5**



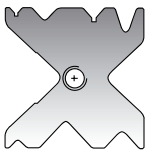
**SPE-5**

**SPE-6**



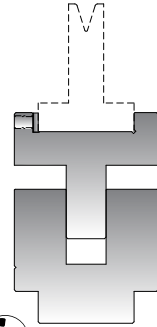
**SPE-6**

**SPE-7**



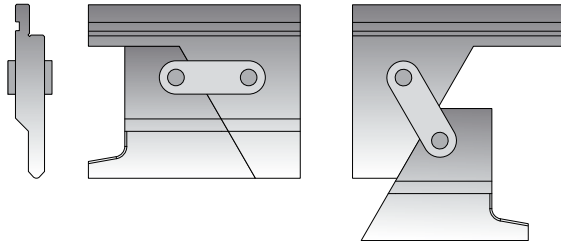
**SPE-7**

**SPE-9**



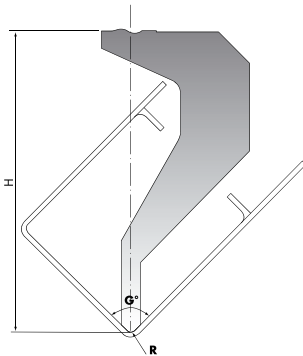
**SPE-9**

**SCA-M**



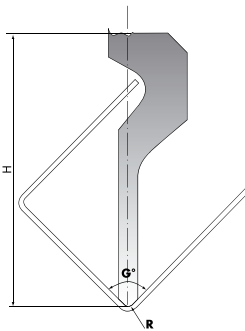
**SCA-M**

**SPE-P1**



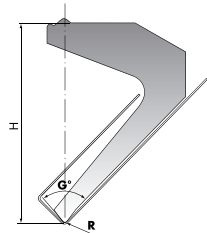
**SPE-P1**

**SPE-P2**

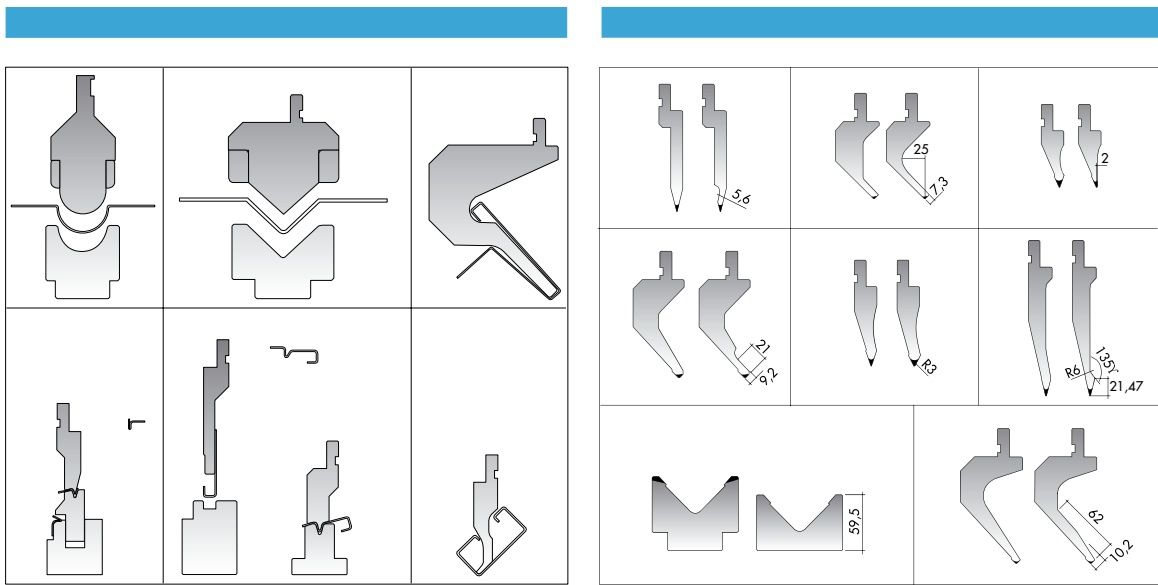


**SPE-P2**

**SPE-P3**



**SPE-P3**



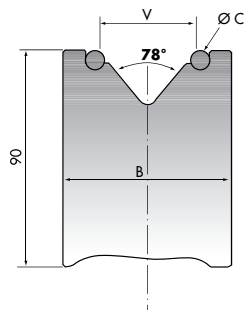
**MR90-20-78 ÷ MR 90-70-78 C45**

835

HRc 60-62

~~F~~

	V mm	B mm	C mm
MR90-20-78	20	45	6
MR90-24-78	24	49	6
MR90-30-78	30	60	8
MR90-40-78	40	70	8
MR90-50-78	50	84	10
MR90-60-78	60	94	10
MR90-70-78	70	104	10



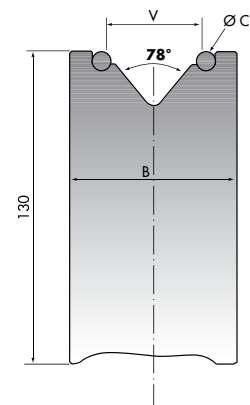
**MR130-20-78 ÷ MR 130-120-78 C45**

835

HRc 60-62

~~F~~

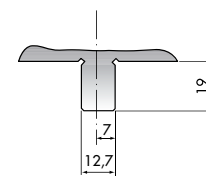
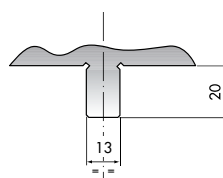
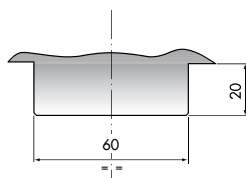
	V mm	B mm	C mm
MR130-20-78	20	45	6
MR130-24-78	24	49	6
MR130-30-78	30	60	8
MR130-40-78	40	70	8
MR130-50-78	50	84	10
MR130-60-78	60	94	10
MR130-75-78	75	118	16
MR130-80-78	80	123	16
MR130-90-78	90	133	16
MR130-100-78	100	143	16
MR130-120-78	120	163	16



**A10**

**A11**

**A13**



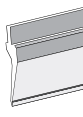







A10

A11

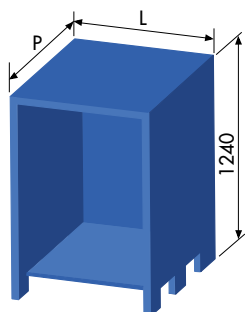
A13

# ARM



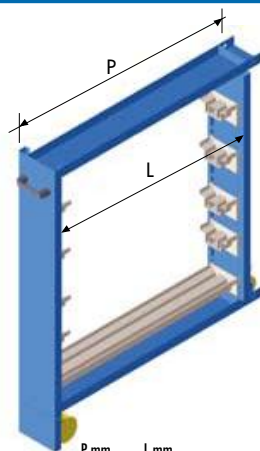
								
	L max	CS	CV	UC	UL	UT	UV	Q
ARM 835-4	835	4 CS-1	0	16 UC-13-1	4 UL-13-3	0	0	Q4-1
ARM 835-5	835	5 CS-1	0	20 UC-13-1	5 UL-13-3	0	0	Q5-1
ARM 1060-4	1060	4 CS-2	0	16 UC-20-2	4 UL-20-4	0	0	Q4-2
ARM 1060-5	1060	5 CS-2	0	20 UC-20-2	5 UL-20-4	0	0	Q5-2
ARM 1060-4-CV	1060	4 CS-2	2	20 UC-20-2	10 UL-20-4	0	0	Q4-2
ARM 1060-5-CV	1060	5 CS-2	3	30 UC-20-2	10 UL-20-4	0	0	Q5-2
ARM 1060-4-T	1060	4 CS-2	0	0	8 UL-13-4	8 UT-4	0	Q4-2
ARM 1060-5-T	1060	5 CS-2	0	0	10 UL-13-4	10 UT-4	0	Q5-2
ARM 1060-4-T-CV	1060	4 CS-2	2	16 UC-13-2	0	8 UT-4	0	Q4-2
ARM 1060-5-T-CV	1060	5 CS-2	3	24 UC-13-2	0	8 UT-4	0	Q5-2

## Q



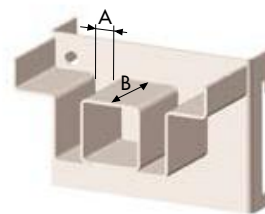
	L mm	P mm
Q4-1	850	1050
Q4-2	850	1360
Q5-1	1040	1050
Q5-2	1040	1360

## CS



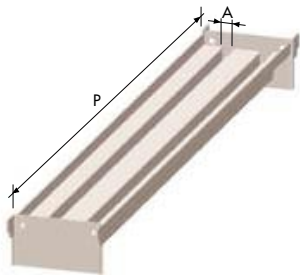
	P mm	L mm
CS-1	1050	856
CS-2	1360	1166

## UC



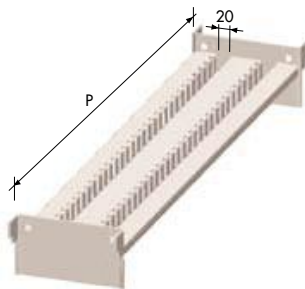
	A mm	B mm
UC-13-1 (2)	L=125	13 76
UC-13-2 (2)	L=250	13 232
UC-20-1 (2)	L=120	20 76
UC-20-2 (2)	L=250	20 232

**UL**



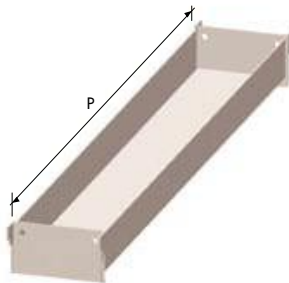
	A mm	P mm
<b>UL-13-1</b>	13	270
<b>UL-13-2</b>	13	580
<b>UL-13-3</b>	13	1050
<b>UL-13-4</b>	13	1360
<b>UL-20-1</b>	20	270
<b>UL-20-2</b>	20	580
<b>UL-20-3</b>	20	1050
<b>UL-20-4</b>	20	1360

**UT**



	P mm
<b>UT-1</b>	270
<b>UT-2</b>	580
<b>UT-3</b>	1050
<b>UT-4</b>	1360

**UV**

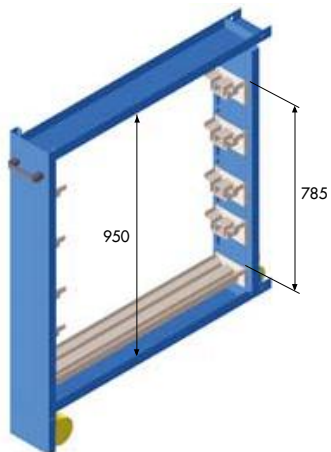
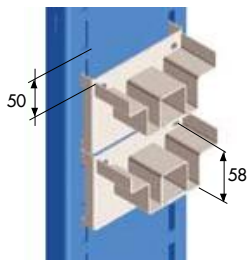
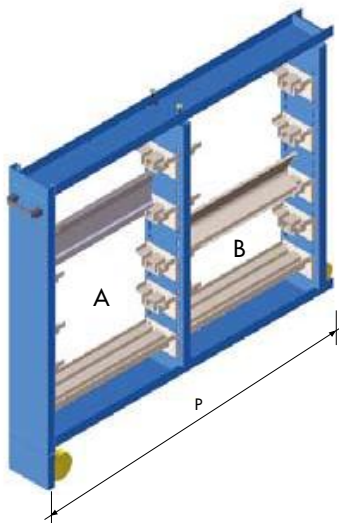


	P mm
<b>UV-1</b>	270
<b>UV-2</b>	580
<b>UV-3</b>	1050
<b>UV-4</b>	1360

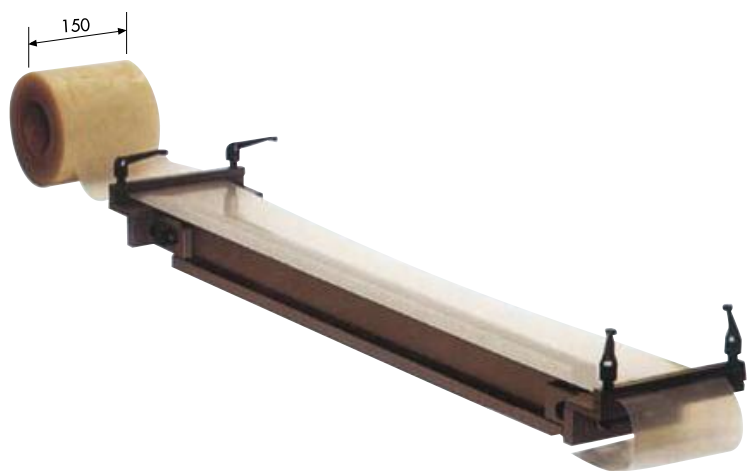
**CV**



P mm	A mm	B mm
<b>1050</b>	<b>580</b>	<b>270</b>
<b>1360</b>	<b>580</b>	<b>580</b>



**ROLFILM 3 ÷ ROLFILM 30**



	m
<b>ROLFILM 3</b>	3
<b>ROLFILM 10</b>	10
<b>ROLFILM 20</b>	20
<b>ROLFILM 30</b>	30



**CT**



**CT (2)**

**RIF500 ÷ RIF1500**



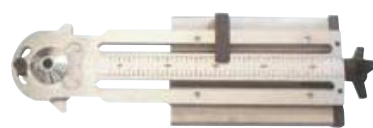
	m
<b>RIF500</b>	500
<b>RIF1000</b>	1000
<b>RIF1500</b>	1500

**RP500A RP500B**

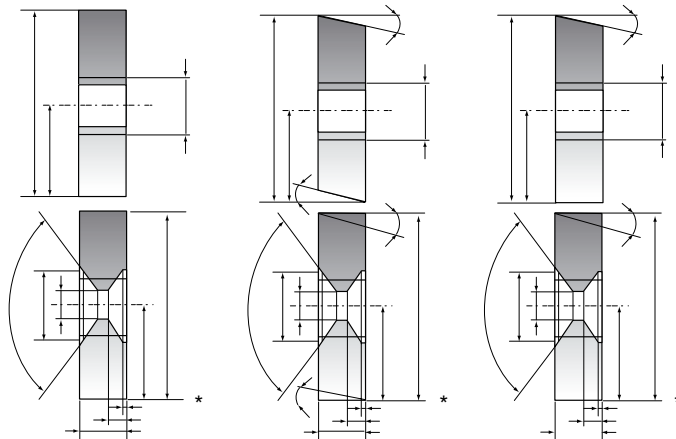
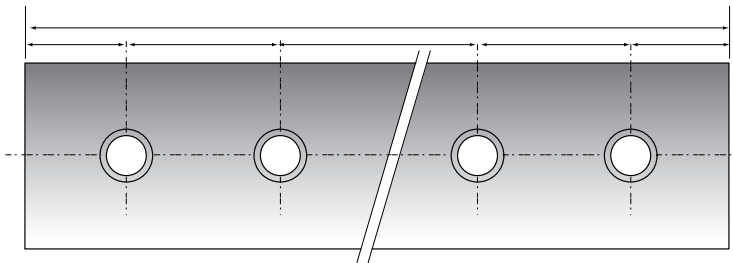


<b>RP500A</b>	
<b>RP500B</b>	

**AS**



**AS**

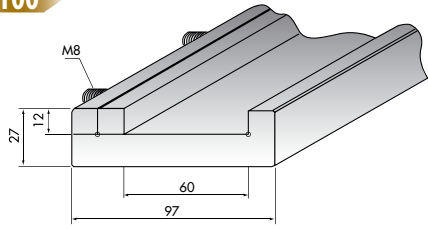


# RETROFITTING

**C2000/S C2500/S C3000/S C4000/S C45**

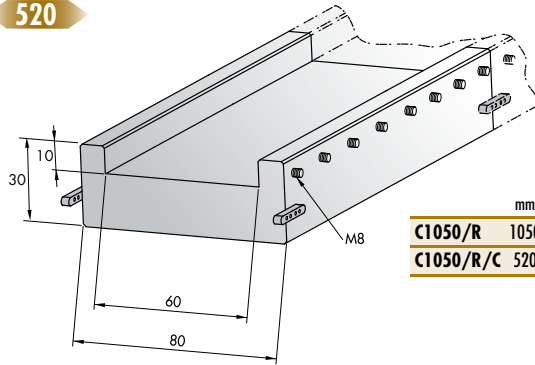
**2100 3100**  
**2600 4100**

	mm
C2000/S	2100
C2500/S	2600
C3000/S	3100
C4000/S	4100



**C1050/R C45**

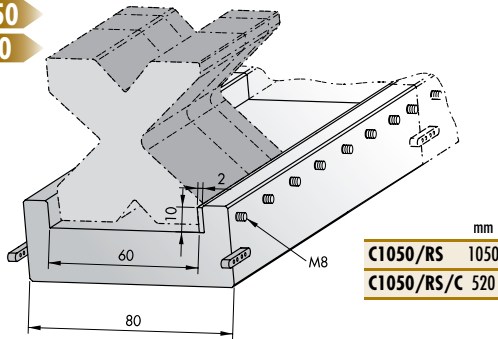
**1050**  
**520**



	mm
C1050/R	1050
C1050/R/C	520

**C 1050/RS C45**

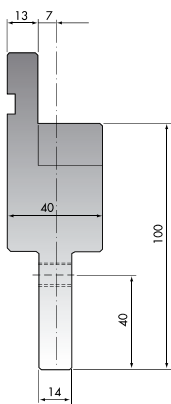
**1050**  
**520**



	mm
C1050/RS	1050
C1050/RS/C	520

**INT100 C45**

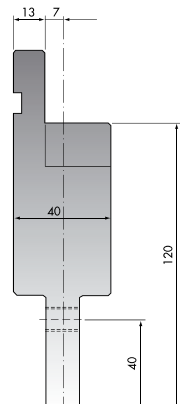
**150**



	max t/m
INT100	100

**INT120 C45**

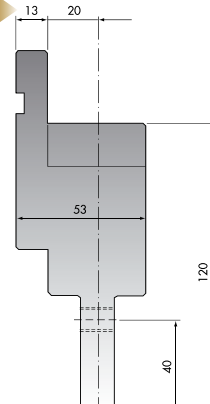
**150**



	max t/m
INT120	100

**INT120-40 C45**

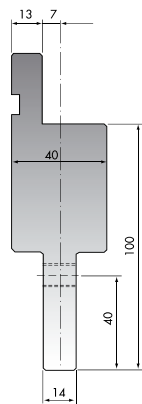
**150**



	max t/m
INT120-40	100

**INT100 FISSO C45**

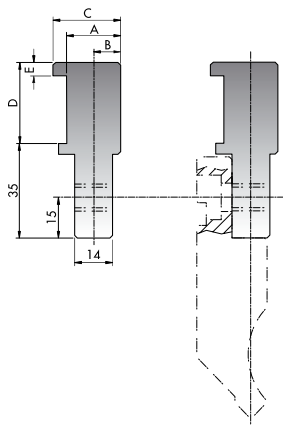
**150**



	max t/m
INT100 FISSO	100

**INT35 C45**

**835**  
**415**  
**805**

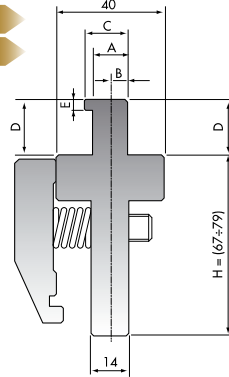
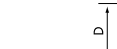


	mm
INT35	835
INT35/C	415
INT35/F	805

~~L10~~ ~~L15~~ **+L25**

**INT67-79 C45**

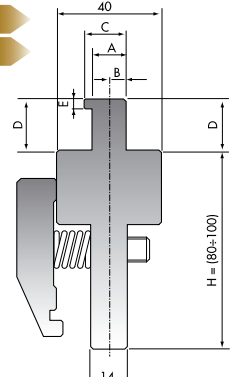
**835**  
**415**



	mm	max t/m
INT67-79	835	100
INT67-79/C	415	100

**INT80-100 C45**

**835**  
**415**



	mm	max t/m
INT80-100	835	100
INT80-100/C	415	100

**RETROFITTING**

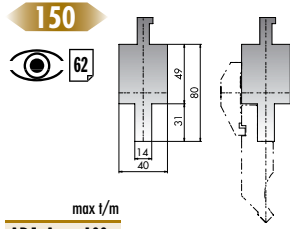
**C45** 560-710 N/mm<sup>2</sup>

**42Cr** 900-1150 N/mm<sup>2</sup>

[www.rolleri.it](http://www.rolleri.it) **ROLLERI**

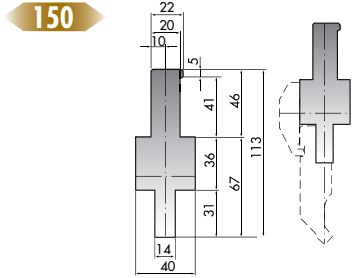
# RETROFITTING

## AD1-A÷AD1-D (LVD/PROMECAM) C45



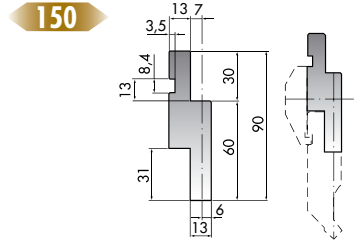
	max t/m
AD1-A	100
AD1-B	100
AD1-C	100
AD1-D	100

## AD3 (BEYELER S/PROMECAM) C45



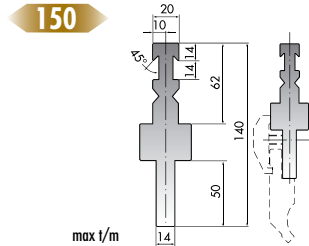
	max t/m
AD3	100

## AD4 (PROMECAM) C45



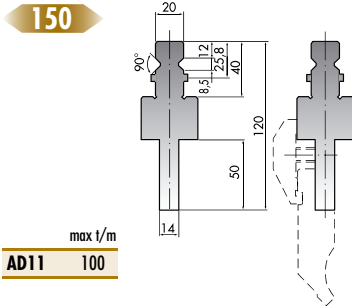
	max t/m
AD4	100

## AD10 (BEYELER RF-A/PROMECAM) C45



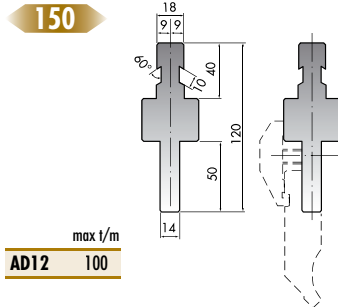
	max t/m
AD10	100

## AD11 (TRUMPF/PROMECAM) C45



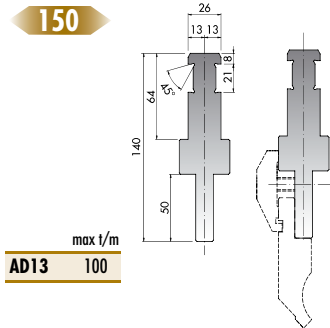
	max t/m
AD11	100

## AD12 (COLGAR/PROMECAM) C45



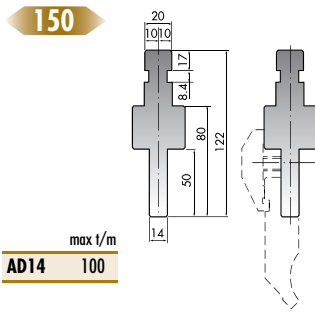
	max t/m
AD12	100

## AD13 (EHT/PROMECAM-AMADA) C45



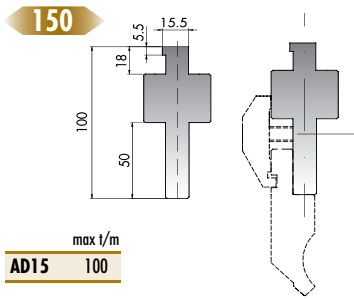
	max t/m
AD13	100

## AD14 (GASPARINI/PROMECAM) C45



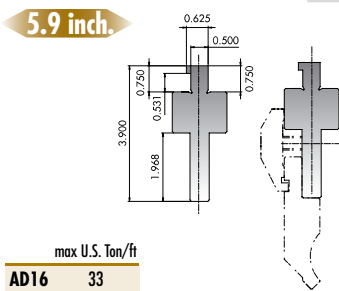
	max t/m
AD14	100

## AD15 (AJIAL-AXIAL/PROMECAM) C45



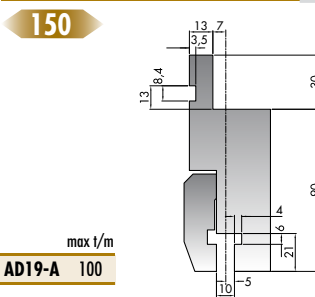
	max t/m
AD15	100

## AD16 (AMERICAN/PROMECAM) C45



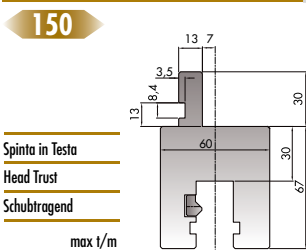
	max U.S. Ton/ft
AD16	33

## AD19-A (PROMECAM/LVD) C45



	max t/m
AD19-A	100

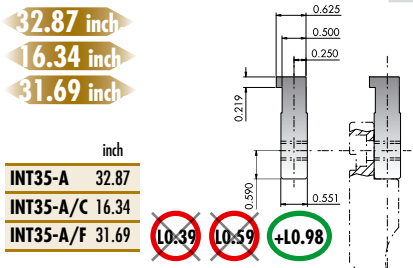
## AD20 (PROMECAM/WILA) C45



	max t/m
AD20	100

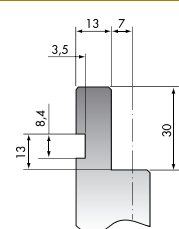
Spinta in Testa  
Head Trust  
Schubtragend

## INT35-A (AMERICAN/PROMECAM) 45

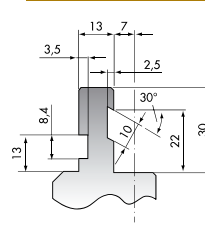


	inch
INT35-A	32.87
INT35-A/C	16.34
INT35-A/F	31.69

## STANDARD

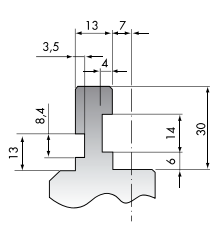


## A1



A1

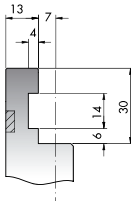
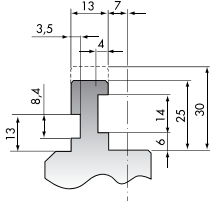
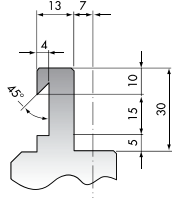
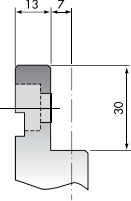
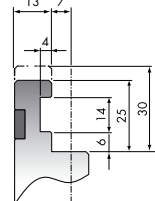
## A6

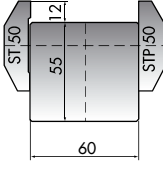
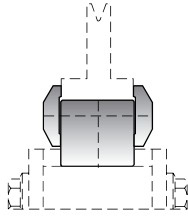
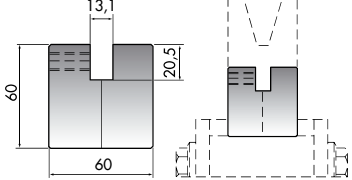
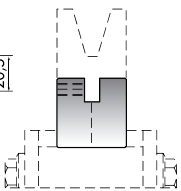
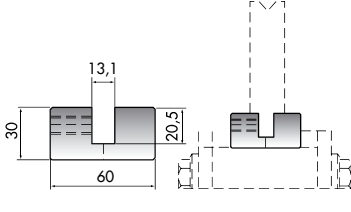
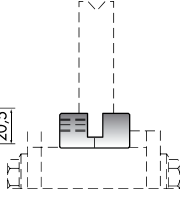


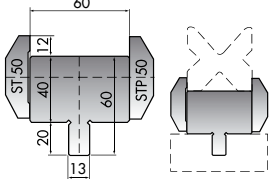
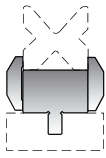
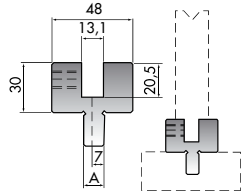
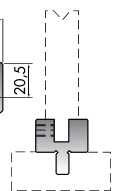
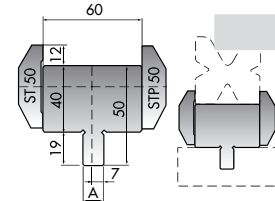
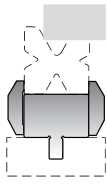
A6

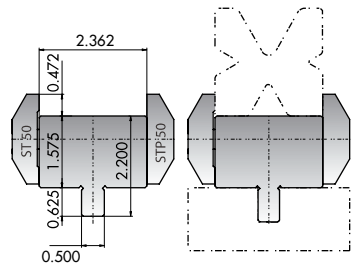
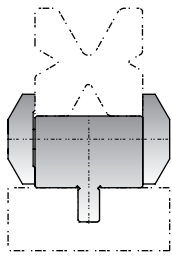
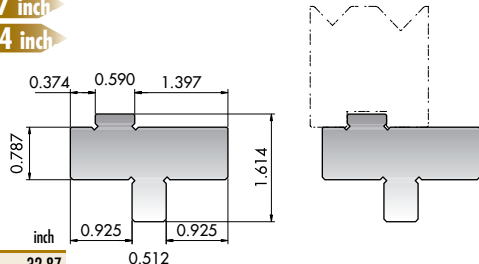
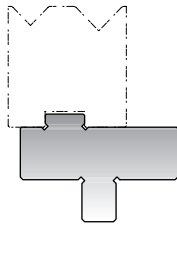
RETROFITTING

# RETROFITTING

<b>A41</b>	<b>A7</b>	<b>A8</b>	<b>A9</b>	<b>A42</b>	<b>C45</b>
					
<b>A41</b>	<b>A7</b>	<b>A8</b>	<b>A9</b>	<b>A42</b>	

<b>CTS60 (PROMECAM)</b>	<b>C45</b>	<b>AD5 (PROMECAM/TRUMPF-BEYELER)</b>	<b>C45</b>	<b>AD6 (PROMECAM/TRUMPF-BEYELER)</b>	<b>C45</b>
<b>835</b>		<b>1000</b>		<b>1000</b>	
<b>415</b>		<b>500</b>		<b>500</b>	
					
mm		mm		mm	
<b>CTS60</b> 835		<b>AD5</b> 1000		<b>AD6</b> 1000	
<b>CTS60/C</b> 415		<b>AD5/C</b> 500		<b>AD6/C</b> 500	

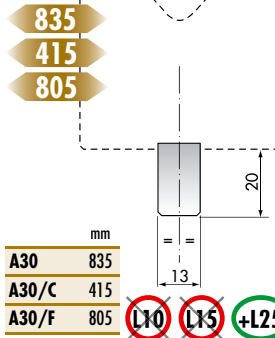
<b>AD7 (TRUMPF-BEYELER/PROMECAM)</b>	<b>C45</b>	<b>AD8 (LVD/TRUMPF-BEYELER)</b>	<b>C45</b>	<b>AD9 (LVD/PROMECAM-AMADA)</b>	<b>C45</b>
<b>835</b>		<b>1000</b>		<b>835</b>	
<b>415</b>		<b>500</b>		<b>415</b>	
					
mm		A mm		A mm	
<b>AD7</b> 835		<b>AD8</b> 12		<b>AD9</b> 12	
<b>AD7/C</b> 415		<b>AD8-12.7</b> 12,7		<b>AD9-12.7</b> 12,7	

<b>AD17 (AMERICAN/PROMECAM-AMADA)</b>	<b>C45</b>	<b>AD18 (AMERICAN/PROMECAM-AMADA)</b>	<b>C45</b>
<b>32.87 inch</b>		<b>32.87 inch</b>	
<b>16.34 inch</b>		<b>16.34 inch</b>	
			
inch		inch	
<b>AD17</b> 32.87		<b>AD18</b> 32.87	
<b>AD17/C</b> 16.34		<b>AD18/C</b> 16.34	

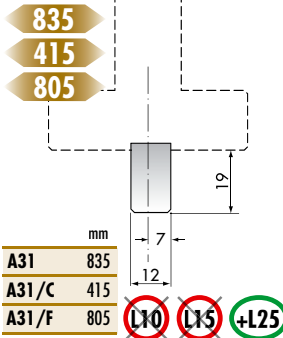
**RETROFITTING**

# RETROFITTING

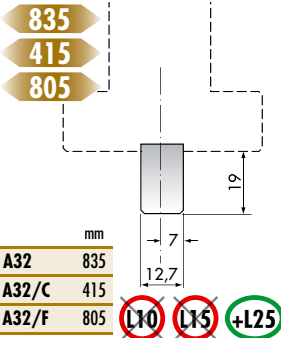
## A30 (TRUMPF-BEYELER/PROMECAM)



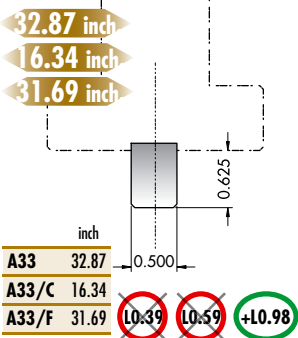
## A31 (LVD/PROMECAM-AMADA)



## A32 (LVD/PROMECAM-AMADA)

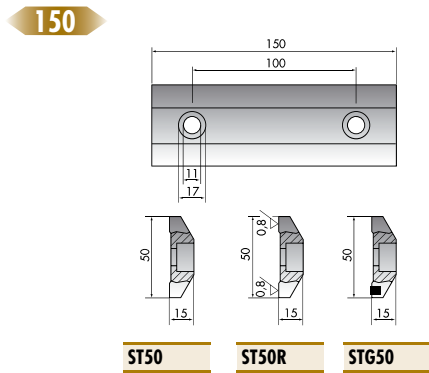


## A33 (AMERICAN/PROMECAM)



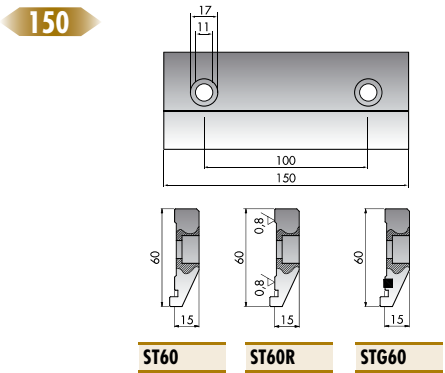
## ST50 ST50R STG50

Fe37



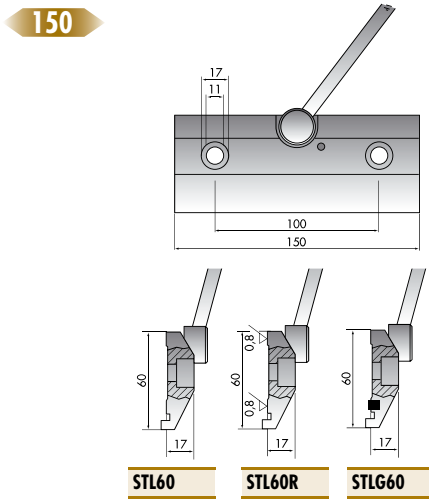
## ST60 ST60R STG60

Fe37



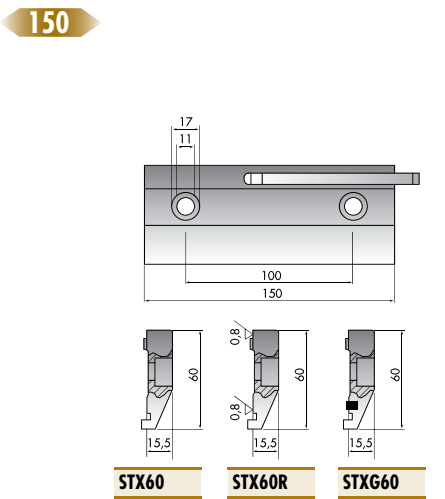
## STL60 STL60R STLG60

Fe37



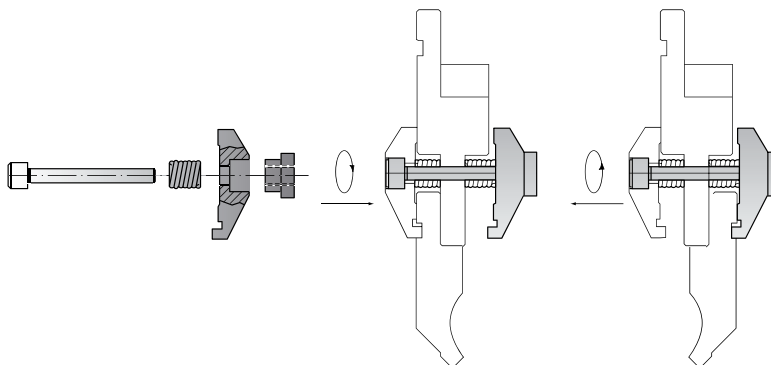
## STX60 STX60R STXG60

Fe37



RETROFITTING

## KDS



KDS